

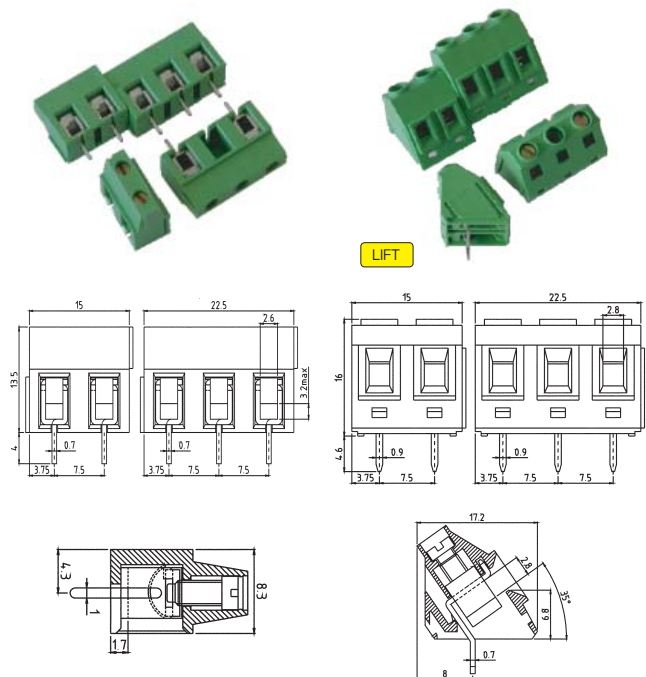
Technical Parameters	MV46x-6,35-H	MV46x-6,35-V
Pitch	6,35mm	6,35mm
Mounting Position	horizontal	vertical
Wire Section	4mm <sup>2</sup> strand. (AWG12) 6mm <sup>2</sup> solid (AWG10)	4mm <sup>2</sup> strand. (AWG12) 6mm <sup>2</sup> solid (AWG10)
Rated Voltage	450V	450V
Rated Current	25A	25A
Stripping Length	9,8mm	9,8mm
Modular	yes	yes
Lift System	yes	yes
Working Temperature	125°C	125°C
Colour	green	green

Part No.	Ord. No.
o MV462-6,35-H	51457
o MV463-6,35-H	51458
s MV462-6,35-V	51455
o MV462-6,35-V-GY	69832
s MV463-6,35-V	51456
o MV463-6,35-V-GY	69833

## Pitch 7,5mm

MVE17x-7,5-V

MI27x-7,5-IT

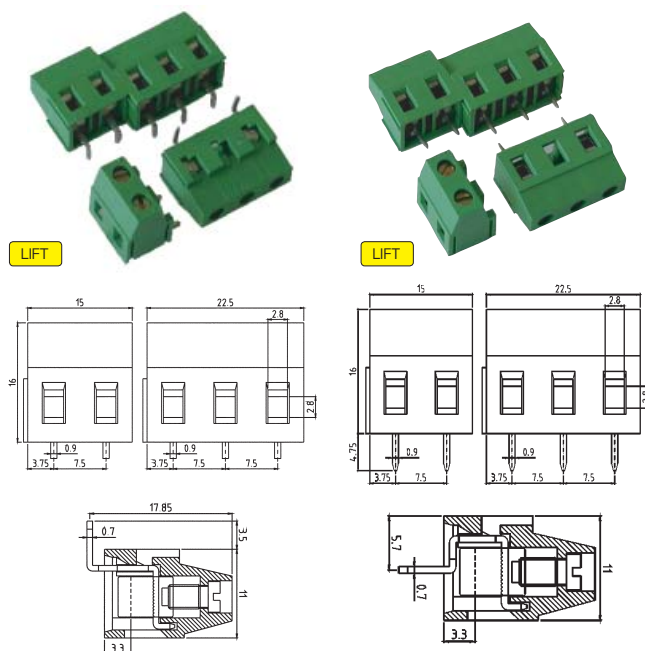


Technical Parameters	MVE17x-7,5-V	MI27x-7,5-IT
Pitch	7,5mm	7,5mm
Mounting Position	vertical	angular 35°
Wire Section	1,5mm <sup>2</sup> strand. (AWG16) 2,5mm <sup>2</sup> solid (AWG14)	2,5mm <sup>2</sup> strand. (AWG14) 4mm <sup>2</sup> solid (AWG12)
Rated Voltage	750V	750V
Rated Current	17,5A	16A
Stripping Length	6,8mm	8,3mm
Modular	yes	yes
Lift System	-	yes
Working Temperature	125°C	125°C
Colour	green	green

Part No.	Ord. No.
s MVE172-7,5-V	51460
s MVE173-7,5-V	51461
o MI272-7,5-IT	51611
o MI273-7,5-IT	51612

MV27x-7,5-H

MV27x-7,5-V



Technical Parameters	MV27x-7,5-H	MV27x-7,5-V
Pitch	7,5mm	7,5mm
Mounting Position	horizontal	vertical
Wire Section	2,5mm <sup>2</sup> strand. (AWG14) 4mm <sup>2</sup> solid (AWG12)	2,5mm <sup>2</sup> strand. (AWG14) 4mm <sup>2</sup> solid (AWG12)
Rated Voltage	750V	750V
Rated Current	16A	16A
Stripping Length	8,3mm	8,3mm
Modular	yes	yes
Lift System	yes	yes
Working Temperature	125°C	125°C
Colour	green	green

Part No.	Ord. No.
s MV272-7,5-H	51462
s MV273-7,5-H	51463
s MV272-7,5-V	50686
s MV273-7,5-V	50687

## Pitch 7,62mm

MVSP27x-7,62-H

MVSP27x-7,62-V

