

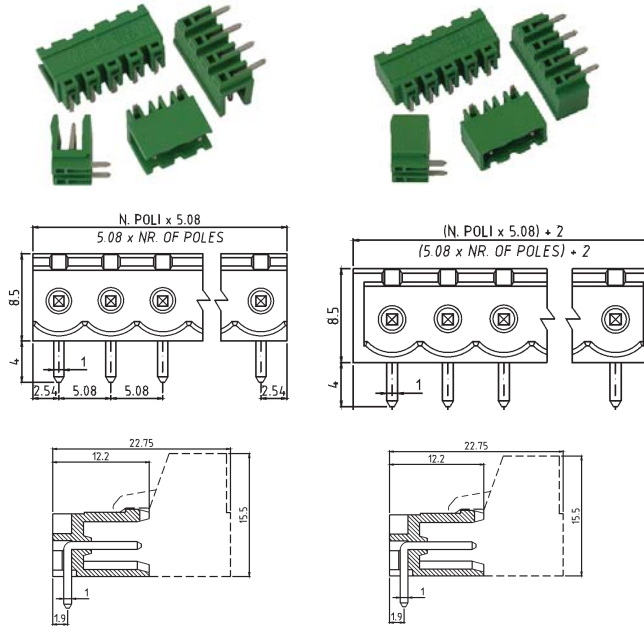
Plug-in Connectors

(continued)



PHxx-5,08

PHxx-5,08-P

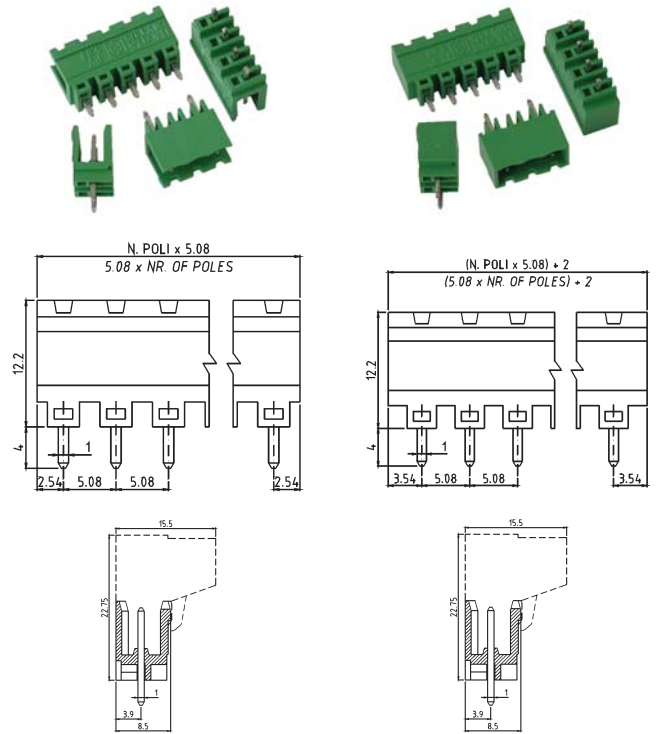


Technical Parameters	PHxx-5,08	PHxx-5,08-P
Pitch	5,08mm	5,08mm
Mounting Position	horizontal	horizontal with closed end
Rated Voltage	450V	450V
Rated Current	16A	16A
Working Temperature	+125°C	+125°C
Colour	green	green
Suitable for	SHxx-5,08 SVxx-5,08-F	SHxx-5,08 SVxx-5,08-F

Part No.	Ord. No.	Description
S PH02-5,08	50709	2-poles
S PH03-5,08	50710	3-poles
O PH04-5,08	51513	4-poles
S PH05-5,08	51515	5-poles
O PH06-5,08	52293	6-poles
S PH08-5,08	53125	8-poles
S PH10-5,08	53381	10-poles
S PH12-5,08	53382	12-poles
S PH02-5,08-P	51533	2-poles
S PH03-5,08-P	51534	3-poles
S PH04-5,08-P	51535	4-poles
S PH05-5,08-P	51536	5-poles
S PH06-5,08-P	51326	6-poles
S PH08-5,08-P	51537	8-poles
O PH09-5,08-P	51327	9-poles
S PH10-5,08-P	51538	10-poles
S PH12-5,08-P	51539	12-poles
O PH18-5,08-P	55459	18-poles
O PH22-5,08-P	55607	22-poles
O PH24-5,08-P	70142	24-poles

PVxx-5,08

PVxx-5,08-P



Technical Parameters	PVxx-5,08	PVxx-5,08-P
Pitch	5,08mm	5,08mm
Mounting Position	vertical	vertical with closed end
Rated Voltage	450V	450V
Rated Current	16A	16A
Working Temperature	+125°C	+125°C
Colour	green	green
Suitable for	SHxx-5,08 SVxx-5,08-F	SHxx-5,08 SVxx-5,08-F

Part No.	Ord. No.	Description
S PV02-5,08	50707	2-poles
S PV03-5,08	50708	3-poles
S PV04-5,08	51511	4-poles
O PV05-5,08	51512	5-poles
S PV08-5,08	53022	8-poles
O PV06-5,08	52822	6-poles
S PV10-5,08	54502	10-poles
S PV12-5,08	53383	12-poles
S PV02-5,08-P	51540	2-poles
S PV03-5,08-P	51541	3-poles
S PV04-5,08-P	51542	4-poles
S PV05-5,08-P	51543	5-poles
S PV06-5,08-P	51328	6-poles
S PV08-5,08-P	51544	8-poles
S PV10-5,08-P	51545	10-poles
S PV12-5,08-P	51546	12-poles
O PV16-5,08-P	52059	16-poles
O PV24-5,08-P	52060	24-poles