

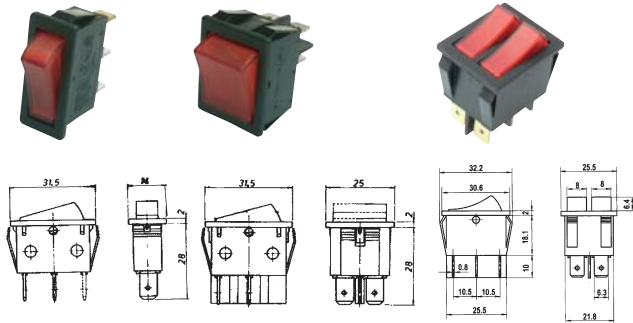
30x11 mm, 30x22 mm Series

ECONOMIC

IL 901 AN

IL 902 AN

IL 903 AN



Part No. Description

IL 901 AN 1-pole, 16A/250V, glim-lamp backlight, Faston 6,3mm, ON-OFF
 IL 902 AN 2-poles, 16A/250V, glim-lamp backlight, Faston 6,3mm, ON-OFF
 IL 903 AN 2x1-pole,16(4)A/250V,glim-lamp backlight, Faston 6,3mm, ON-OFF

Part No.	Ord. No.
S IL 901 AN	19164
S IL 902 AN	19165
S IL 903 AN	19167

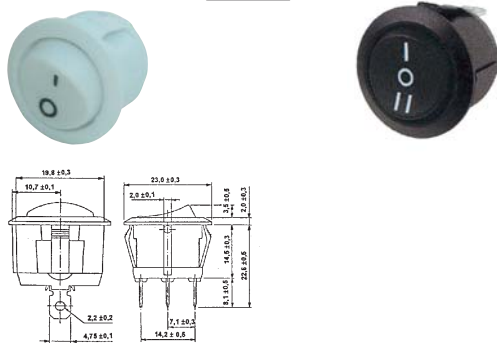
Round Rocker Switches

WIP 12A0x

ECONOMIC

WIP 12A03

ECONOMIC



Part No. Description

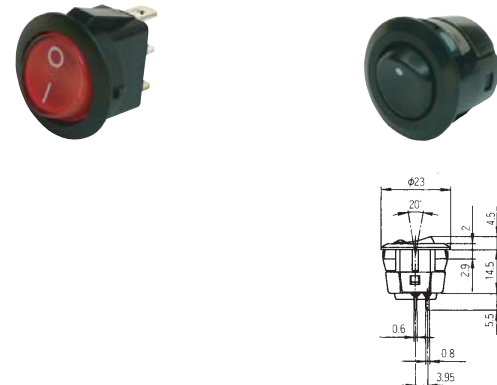
WIP 12A0x 1-pole,6A/250V,Faston 4,8mm, ϕ 20,2mm
 WIP 12A03 SNAP 1P 6A, Faston 4,8mm, ON-OFF-ON

Part No.	Ord. No.	Colour
S WIP 12A01	9065	black
S WIP12A02	55003	white
S WIP12A03	65099	black

IRS-101-8C3

DS 059 SS

MIYAMA



Part No. Description

IRS-101-8C3 1-pole, 6,5A/250V, glim-lamp backlight, ϕ 20,5 mm, Faston 4,8mm, ON-OFF
 DS 059SS 2-poles, 3A/250V, soldering eyelets, ϕ 20mm

Part No.	Ord. No.
S IRS-101-8C3	46607
S DS 059SS	28250

Automotive Rocker Switches

ASW-01

ASW-02D



Part No. Description

ASW-01 12VDC/20A 40x17,6mm 5xFO48
 ASW-02D 12VDC/20A 40x17,6mm 5xFO48 backlight

Type Ord. No.

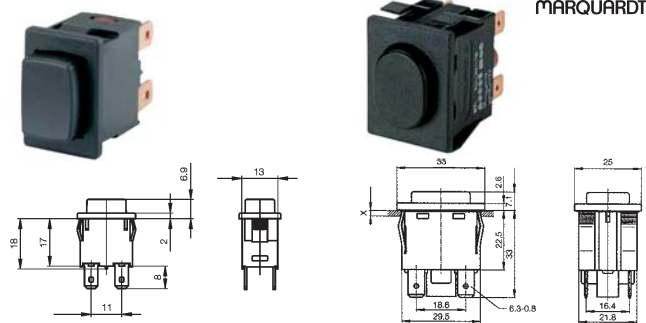
S ASW-01	61645
S ASW-02D	61646

Pushbutton Switches

1683.1101

1671.5201

MARQUARDT



Part No. Description

1683.1101 1-pole, 12(8)A/250V, Faston 4,8mm, 19x13mm.
 1671.5201 2-poles, 16(4)A/250V, Faston 6,3mm, IP 54, 30x22mm.

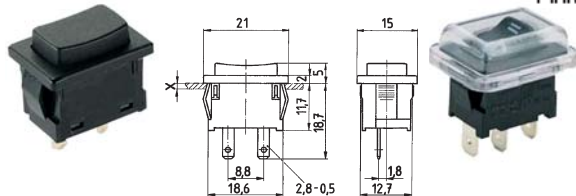
Part No. Ord. No.

S 1683.1101	55529
S 1671.5201	345

1846.3201

203.089.011

MARQUARDT



Part No. Description

1846.3201 1-pole, Snap-In, 2 (1) A/250V, Faston 2,8mm, 19x13mm
 203.089.011 PVC-protection cap for MARQUARDT single-pole switches of size 19x13mm.

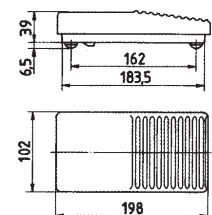
Part No. Ord. No.

S 1846.3201	506
S 203.089.011	572

Foot Switches

2410.0401

MARQUARDT



Part No. Description

1683.1101 1-pole, 6(2,5)A/250V, screw terminal, lifetime 3.10⁵ cycles.

Part No. Ord. No.

S 2410.0401	638
-------------	-----

