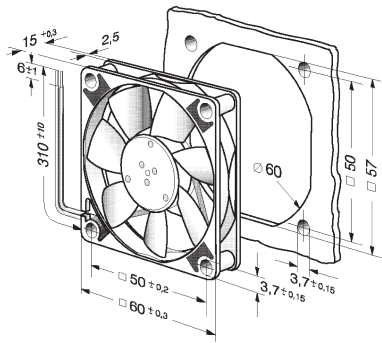


**Axial DC Fans**  
60x60mm

ebmpapst

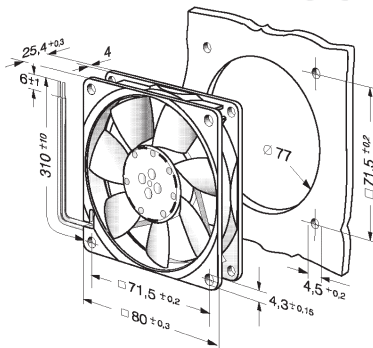


Part No.	Width [mm]	Max. V	Max. I [A]	Power [W]	Air Flow [m <sup>3</sup> /hour]	Noise [dBA]	Speed [RPM]	Bearing	Weight [g]	Note
PAPST 612 F/2	15	12	0,09	1	29	27	3900	Sleeve	30	Tachosignal

Part No.	Ord.No.
S PAPST 612 F/2	50989

**80x80mm**

ebmpapst

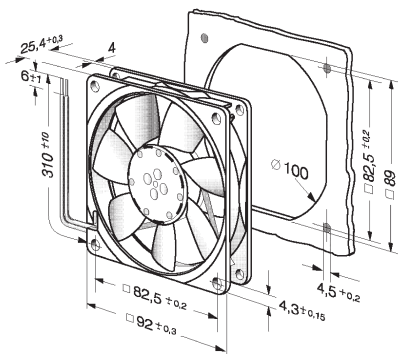


Part No.	Width [mm]	Max. V	Max. I [A]	Power [W]	Air Flow [m <sup>3</sup> /hour]	Noise [dBA]	Speed [RPM]	Bearing	Weight [g]	Note
PAPST 8412 N/2GM	25	12	0,11	1,3	58	26	2600	Sleeve	95	Tachosignal
PAPST 8412 NGLLE	25	12	0,03	0,35	20	9	1000	Sleeve	95	Super silent

Part No.	Ord.No.
S PAPST 8412 N/2GM	50991
S PAPST 8412 NGLLE	50993

**92x92x25mm**  
PAPST 3412 NGMV

ebmpapst

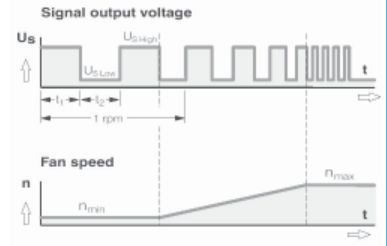


Part No.	Width [mm]	Max. V	Max. I [A]	Power [W]	Air Flow [m <sup>3</sup> /hour]	Noise [dBA]	Speed [RPM]	Bearing	Weight [g]	Note
PAPST 3412 NGMV	25	12	0,16	2	72	28	2300	Sleeve	100	Variofan

Part No.	Ord.No.
S PAPST 3412 NGMV	50994

**TACHOSIGNAL**

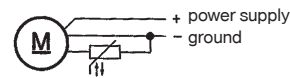
Sensor integrated in the electronics generates speed-proportional rectangular pulses. In order to monitor the fan speed, the commutation signals of the motor that are required any-way for creating the rotating field can also be used. In both cases, the tach signal is available either at an open collector output, galvanically isolated or TTL-compatible. This means e.g. that the speed of the fan can be monitored in the computer or controlled externally.



Signal symmetry [t<sub>1</sub>, t<sub>2</sub>] = 0.8 ... 1.2  
Signal frequency [F] = 2 x n/60 Hz

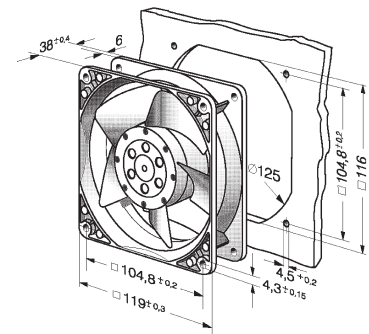
**VARIOFAN**

PAPST VARIOFAN – the fans with IC technology and temperature dependent speed control. VARIOFANs always cool at the speed required by the appliance resulting in speeds as much as 50% lower than those of standard fans and a drastic reduction of the noise level in almost all operating conditions. VARIOFAN are controlled without dissipation losses: At lower speeds their power consumption is reduced proportionally.



**Axial AC Fans**  
119x119mm

ebmpapst



all-metal

Part No.	Width [mm]	Max. V	Max. I [A]	Power [W]	Air Flow [m <sup>3</sup> /hour]	Noise [dBA]	Speed [RPM]	Bearing	Weight [g]	Note
PAPST 4606 N	38	115	0,16	18	180	51	3100	Ball	550	All metal
PAPST 4650 N	38	230	0,08	19	160	46	2650	Sleeve	550	All metal

Part No.	Ord.No.
S PAPST 4606 N	7974
S PAPST 4650 N	43414