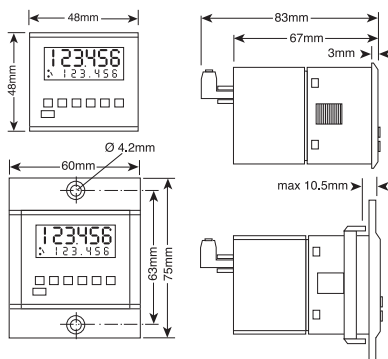


Electronic Counters / Timers

Type 7911



self powered



6digit LCD predetermining counter

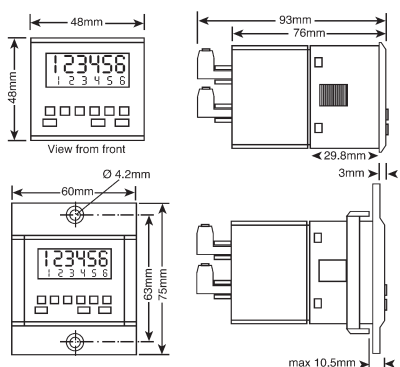
A self-powered 6 digit LCD predetermining counter with typical 10 year operating life suitable for replacing electro-mechanical predetermining counters in a DIN case with protection to IP65.

The LCD panel of this counter has two rows of 6 digits each. The upper characters are 7mm high and indicate the count value. The lower characters are 4mm high and indicate the preset point. It will count up to, or down from, the preset value and operate the output relay when the count reaches up to the preset or down to zero.

- Locatable decimal point (up to 3 places).
- Front panel programming via 6 keys (one for each digit) and a manual reset key
- Reset is user configurable to reset to zero (adding) or reset to preset (subtracting)
- Manual and electrical reset
- Front panel keys can be remotely enabled and disabled
- Operates for up to 10 years @ 20°C or 106 relay operations, with internal user replaceable lithium batteries
- Relay contacts are rated at 8A programmable to NO or NC
- Environ protection IP65 when properly installed using the sealing gasket supplied

Specifications	7911
Display	2 rows of 6 digits, black on silver LCD. Upper row 7mm high characters indicate count, lower row 4mm high characters indicate the preset value
Max. input frequency	25Hz
Reset	front panel, external
Count input	12-250 VAC or DC
Outputs	1programmable relay, 8A/230VAC, 5A/30VDC
Front panel size	60mm x 75mm
Panel cut-out	48mm x 48mm
Part No.	Ord.No.
S 7911	67356

Type 7932



6 digit predetermining counter/timer with prescaler and EEPROM data storage in an IP65 DIN case

This versatile count up or count down predetermining counter/timer with prescaler has a wide range of innovative and attractive features. Designed with imagination and built to the highest standards it offers both counting and timing functions in one unit.

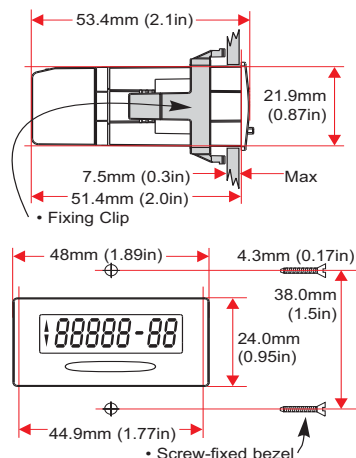
- Simple programming via menu driven display
- High visibility supertwist LCD display can be viewed from any angle
- Backlight programmable ON, OFF or AUTO
- 40 years data retention with no power
- Programmable decimal point up to 3 places
- Operates from 85-265VAC or 10-26VDC
- 12VDC output to drive a sensor (when AC powered)
- Opto-isolated inputs
- Wide range of prescaling
- Output relay contacts rated at 5A
- Output can be set to latch or pulse with programmable pulse duration
- Environmental protection to IP65
- Standard DIN housing

Specifications	7932
Display	2 rows of 6 digits, supertwist black on silver LCD with yellow/green LED backlight. Upper row 7mm (0.28in) high indicates count, lower row 4mm (0.16in) high indicates P1 preset point
Max. input frequency	high speed: 10kHz low speed: 30Hz
Reset	programmable: automatic reset or manual / remote reset
Count inputs	high speed: NPN/PNP 10-30VDC low speed: 12-260VAC
Outputs	1 SPDT 5A relay
Supply voltage	85 - 265VAC or 10 - 26VDC at 100mA
Front panel size	60mm x 75mm
Panel cut-out	48mm x 48mm

Part No.	Ord.No.
S 7932	67357

Electronic Timers

Type 7511 and 7511HV



8 digit self powered LCD electronic timer

A compact LCD timer designed for many applications, screw terminals ensure fast wiring.

Features include backlighting (external 5VDC supply required), 4 timing modes, timing direction indication and 9mm high digits.

- Use of the latest CMOS circuitry achieves an expected battery life of 10 years
- 9mm high contrast LCD display
- Minimum contact closure time 1 second
- 4 timing modes
- Times up or down
- External reset input
- CE, UL and cUL/CSA approved
- IP65 front panel protection
- Standard DIN bezel 48mmx24mm

Specifications	7511	7511HV
Display	8 digit LCD, 9mm characters	
Timing modes	secs, mins./secs, hrs/1/100ths, hrs/mins	10-240 VAC or 10-110VDC
Input signal	max.18VDC	
Reset	front panel, external	
Power supply	self powered	
Front panel size	48mm x 24mm	
Panel cut-out	45mm x 22,5mm	

Part No.	Ord.No.
S 7511	67358
S 7511 HV	67359